

XAircraft CM130-TS 单轴云台安装说明

XAircraft CM130-TS Tilt Gimbal with Shutter Assembly

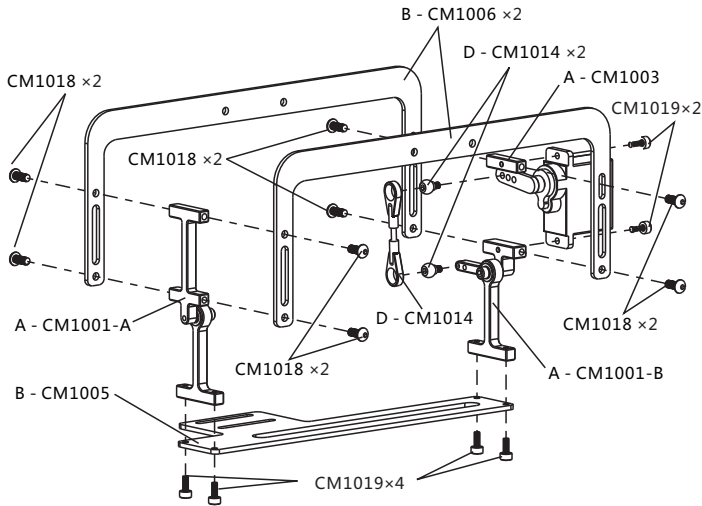
编号含义 The Meaning Of Number

A-CM1001

袋编号 物品编号
Packet Number Product Number



注意
舵机与相机并不包括在部件清单中，用户需自行配备(兼容大部分9~12克微型舵机)。
Servo and camera require users to self-furnish which are not included in parts list (compatible with most 9~12g servos).



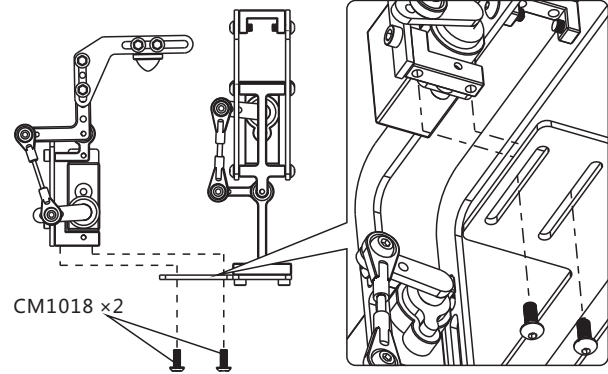
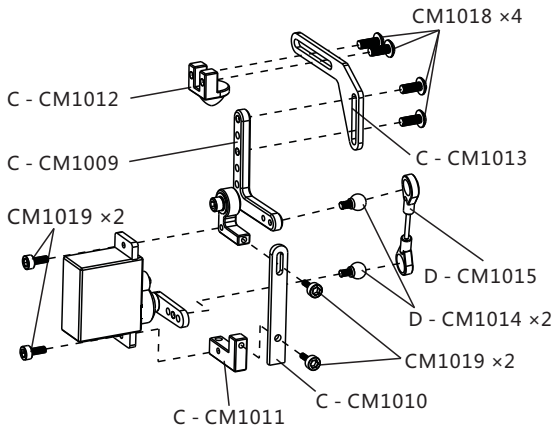
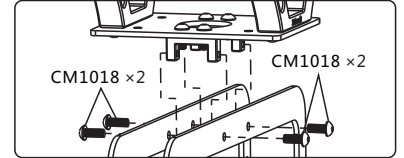
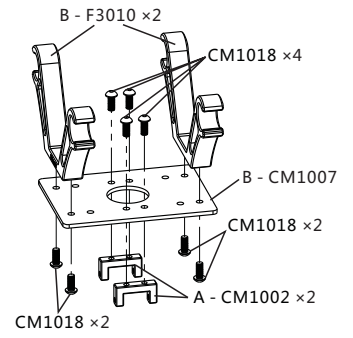
注意区别
Notice the difference



D - CM1015
俯仰舵机连杆
Ball Link for Tilt



D - CM1016
快门舵机连杆
Ball Link for Shutter



零件清单 Parts List

袋编号 Packet	编号 Product No.	名称 Name	数量 Qty
A	CM1001-A	摇臂组 A Rocker Arm Set A	1
	CM1001-B	摇臂组 B Rocker Arm Set B	1
	CM1002	悬挂板固定件 Suspended mount panel fastener	2
	CM1003	舵机固定臂 Servo fixed armboard	1
B	CM1004	相机固定钮扣 Camera fixed bolt	1
	CM1005	相机固定板 Camera retaining plate	1
	CM1006	吊架夹板 Camra holddown clamp	2
	CM1007	云台悬挂板 Gimbal Mounting Plate	1
	F3010	挂载固定件 Load Hanger	2
C	E1002	3-pin信号连接线 3-pin Signal Cable	2
	CM1009	快门连动臂组 Shutter linkage rod set	1
	CM1010	快门侧板 Shutter lateral plate	1
	CM1011	快门底座 Shutter pedestal	1
	CM1012	快门按钮组 Shutter button set	1
D	CM1013	快门摇臂连接板 Shutter patch panel	1
	CM1014	球头 Linkage ball	4
	CM1015	俯仰舵机连杆组 Linkage for Tilt	1
	CM1016	快门舵机连杆组 Linkage for Shutter	1
	CM1018	M2.5x6 半圆头内六角螺丝 M2.5x6 Socket Screw	26
	CM1019	M2x5 圆头内六角螺丝 M2x5 Socket Screw	10

